

# MYPro series MY300HX™

## pick-and-place

---

Specifications  
March 2022



# Specifications MYPro series **MY300HX™**

PLACEMENT SPEED AND ACCURACY	
MY300HX-9/13	
Rated speed <sup>(1)</sup>	45,000 CPH
IPC 9850 chip net throughput <sup>(2, 3)</sup>	33,000 CPH
IPC 9850 chip tact time <sup>(3)</sup>	0.097s
IPC 9850 chip repeatability 3σ (X, Y, Theta) <sup>(3)</sup>	30μm, 1.8° <sup>(5)</sup> 45μm, 1.8°
IPC 9850 chip accuracy @ Cpk = 1.33 (X, Y, Theta) <sup>(4)</sup>	50μm, 2.6° <sup>(5)</sup> 75μm, 2.6°

The IPC 9850 net throughput and accuracy numbers are obtained simultaneously, with the same machine settings. The rated speed value is obtained under conditions optimized for speed.

- (1) Optimal conditions.
- (2) According to IPC 9850. Net throughput = (no of parts x 3,600)/(board build time + board transfer time).
- (3) According to IPC 9850 0402C verification panel.
- (4) According to IPC 9850 Cpk 1.33 = 4σ + offset.
- (5) Small chip settings, recommended for 0201 (0.6 x 0.3 mm) and below.

SYSTEM FEATURES
<b>MY300HX</b>
On-the-fly mount order optimization
Vision autoteach with snap-to-grid
Automatic illumination settings
Intelligent feeder concept—Agilis
Automatic feeder and component recognition
On-the-fly feeder loading
Dynamic feeder positions
Automatic board stretch compensation
Automatic conveyor width adjustment
Tool collision avoidance
Multi-user, multi-tasking system software
Open software interfaces for factory integration
SQL database engine
Programmable light settings fiducial camera

COMPONENT RANGE	
HIGH SPEED MOUNTHEAD—HYDRA Z8	
Component range	Chip (from 01005), SO28, SOT223, SOJ20, PLCC32, MELF, SOD, TSOP
Component specification	Min: 0.4 x 0.2mm (0.016 x 0.008") (01005) Max: 18.6 x 18.6 x 5.60mm (0.73 x 0.73 x 0.22") (PLCC44)

ELECTRICAL VERIFIER (OPTIONAL)	
Component range	Resistor, capacitor, unipolar capacitor, diode (forward voltage, reverse current), Zener diode (reverse voltage), bipolar transistor (current gain), FET/IGBT (gate threshold voltage). Smallest chip size 1.0 x 0.5 mm (0.04 x 0.02").

FEEDER CAPACITY		
8 MM TAPE	T460	T640
MY300HX-9	96	N/A
MY300HX-13	160	144

BOARD HANDLING		
INLINE CONVEYOR	T460	T640
Maximum board size	460 x 510mm (18 x 20")	640 x 510mm (25 x 20")
Minimum board size <sup>(1)</sup>	70 x 50mm (2.7 x 2")	70 x 50mm (2.7 x 2")
Maximum board train length	436mm (17.1")	472mm (18.5")
Board thickness range <sup>(1)</sup>	0.4–6.0mm (0.016–0.24")	0.4–6.0mm (0.016–0.24")
Board edge clearance top	3.2mm (0.13")	3.2mm (0.13")
Board edge clearance bottom <sup>(2)</sup>	3.2mm (0.13")	3.2mm (0.13")
Top side clearance (max)	5.6mm (0.22")	5.6mm (0.22")
Bottom side clearance (max) <sup>(3)</sup>	32mm (1.25")	32mm (1.25")
Maximum board weight	4kg (8.8lbs)	4kg (8.8lbs)
Board transfer height	Conforms to SMEMA standard for board transfer height. Height adjustable from 880 to 975mm (34.6 to 38.4").	
Operation mode	Inline, manual, inline odd-board, left-to-right / right-to-left.	

- (1) Board train specification: 90 x 50mm (3.5 x 2") min board size, 1.6mm (0.06") min thickness. Max warpage 1mm (0.04").
- (2) Edge clearance 5.5mm (0.22") if component taller than 6mm (0.24"). 14.3mm (0.56") if taller than 19mm (0.75").
- (3) 15mm (0.59") with support pins.

VISION CAPABILITY		
LINESCAN VISION SYSTEM—2K RESOLUTION		
Component type	Minimum pitch	Minimum lead width
Leaded components	0.20mm (8mil)	0.10mm (4mil)
Bumped components	0.25mm (10mil)	0.13mm (5mil)

SOFTWARE
<b>SOFTWARE MODULES (OPTIONAL)</b>
Shared databases
Line mode
PCB ID (2D barcode)
Barcode software
PRM software

OFFLINE SOFTWARE TOOLS (OPTIONAL)
Data preparation—MYCenter
Optimization and scheduling—MYPlan
Inventory management and kitting—MYCenter
Traceability—MYTrace

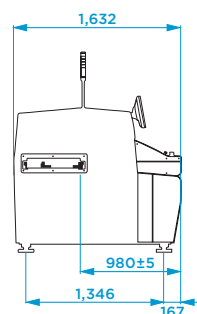
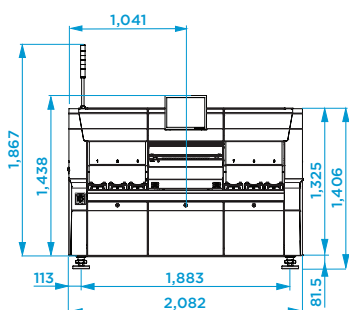
MISCELLANEOUS	
INSTALLATION REQUIREMENTS	
Power requirements	Three phase AC 6.6kVA (3x2.2kVA)
Power consumption	1.5kW (average)
Voltages	3x200, 210, 220, 230, 240, 250 ±10%, Y or Delta
Air supply	No air required
Noise	70dBA
Air temperature	+18 to +35°C (65 to 95°F)
Air humidity	<95% RH non condensing

MACHINE WEIGHT <sup>(1)</sup>	
MY300HX-9	1,500kg (3,300lbs)
MY300HX-13	1,600kg (3,500lbs)

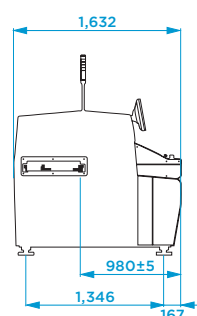
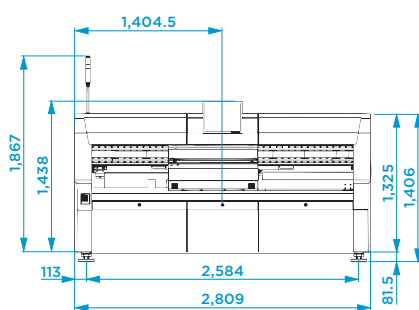
(1) Total machine weight excluding magazines.

## DIMENSIONS [ mm ]

### MY300HX-9



### MY300HX-13



MYCRONIC

MYCRONIC.COM

**SWEDEN**  
Mycronic AB  
PO Box 3141  
Nytörpsvägen 9  
SE-183 03 Täby  
Tel: +46 8 638 52 00

**GERMANY**  
Mycronic GmbH  
Tel: +49 89 45 24 24 8-0

**UK**  
Mycronic Ltd.  
Tel: +44 1202 723 585

**FRANCE**  
Mycronic S.A.S.  
Tel: +33 1 41 80 15 80

**NETHERLANDS**  
Mycronic B.V.  
Tel: +31 402 62 06 67

**USA**  
Mycronic Inc.  
Tel: +1 978 495 9799

**SOUTH KOREA**  
Mycronic Co. Ltd.  
Tel: +82 31 387 5111

**CHINA**  
Mycronic Co., Ltd.  
Tel: +86 21 3252 3785/86

**SINGAPORE**  
Mycronic Pte Ltd.  
Tel: +65 6281 7997

**JAPAN**  
Mycronic Technologies Corporation  
Tel: +81 42 433 9400

Specifications are subject to change without notice. Mycronic, MYDATA, MYDATA automation and MY: Mycronic 4.0; MYPro, MYPro Line, MY100, MY100e, MY200, MY200HX, MY200DX, MY200SX, MY200LX, MY300, MY300EX, MY300HX, MY300DX, MY300SX, MY300LX, MY500, MY600, MY600JD, MY600JP, MY600JX, MY700, MY700JD, MY700JP, MY700JX and MYSynergy; Mycronic 4.0; MYSmart, MYC50, MYD10, MYD50, MYT10, MYT50; Mycronic SMD Tower; MYTower; 5, 6, 6+, 7+, 5x, 6x; VI TECHNOLOGY; VIT; 5K, 5K3D, 8K, 8K3D, 9K, 9K3D; PI, PI Pico, PI Primo; SIGMA Link; HYDRA Speedmount, Midas, ISIC, Agilis, Agilis Linear Magazine (ALM), Agilis Linear Magazine Flex (ALM FLEX), Agilis Stick Magazine (ASM), Agilis Tray Magazine (ATM), Mycronic Tray Exchanger (TEX), Mycronic Tray Wagon Magazine (TWM); Mycronic Dip Unit (DPU); Mycronic Standard Vision System (SVS), Mycronic Dual Vision System (DVS), Mycronic Linescan Vision System (LVS), Mycronic HYDRA Vision System (HVS); Mycronic Assembly Process Management (APM) including: JPSys, TPSys, MYLabel, MYPlan, MYCenter, MYTrace, MYCam and FlowLine are registered trademarks or trademarks of Mycronic AB. Mycronic AB is ISO 9001:2015 and ISO 14001:2015 certified.