



product data sheet

# Dispenser 4RD6-EC

## description



This compact ViscoTec dispenser achieves a precise, consistent and reliable dosing of a wide variety of materials. Thanks to the special rotor-stator geometry, a valve to prevent material from automatically flowing out is not required. Alternately opening chambers allow the gentle transfer and pulsation-free dispensing of product. Especially developed for simplified cleaning (Easy Clean) and maintenance.

- dosing volume: 0.12 ml/rev.
- non-stick coated interior
- reverse-flow possible (no dripping or stringing of product)
- linear relation between drive speed and dosing volume
- constant dosing volume, also with density or viscosity fluctuations
- reliable dosing even without heating the material
- low maintenance
- quick assembly
- time and cost saving maintenance and cleaning with ViscoPro drive: easy programming of quantity and speed (see separate data sheet)

## application

- dot or bead application, variable quantities possible
- suitable for all adhesives and sealants
- for low to high-viscosity materials
- particularly suitable for abrasive, high-filled or shear sensitive material

## technical data

dosing volume	~ 0.12 ml/rev.
volume flow	1.2 - 15 ml/min**
min. dosing quantity	0.005 ml*
dosing accuracy	+/- 1 %***
operating temperature	+10° to +80° C
material temperature	-20° to +80° C*
max. speed	125 rpm*
max. permissible torque	8 Nm
max. dosing pressure	30 bar*
max. supply (input) pressure	20 bar*
weight	approx. 900 g

\*depends on material

\*\*Volume flow depends on viscosity and primary pressure

\*\*\*Volumetric dosing as absolute deviation in relation to one dispenser revolution.  
Depends on the viscosity of the dosing medium.

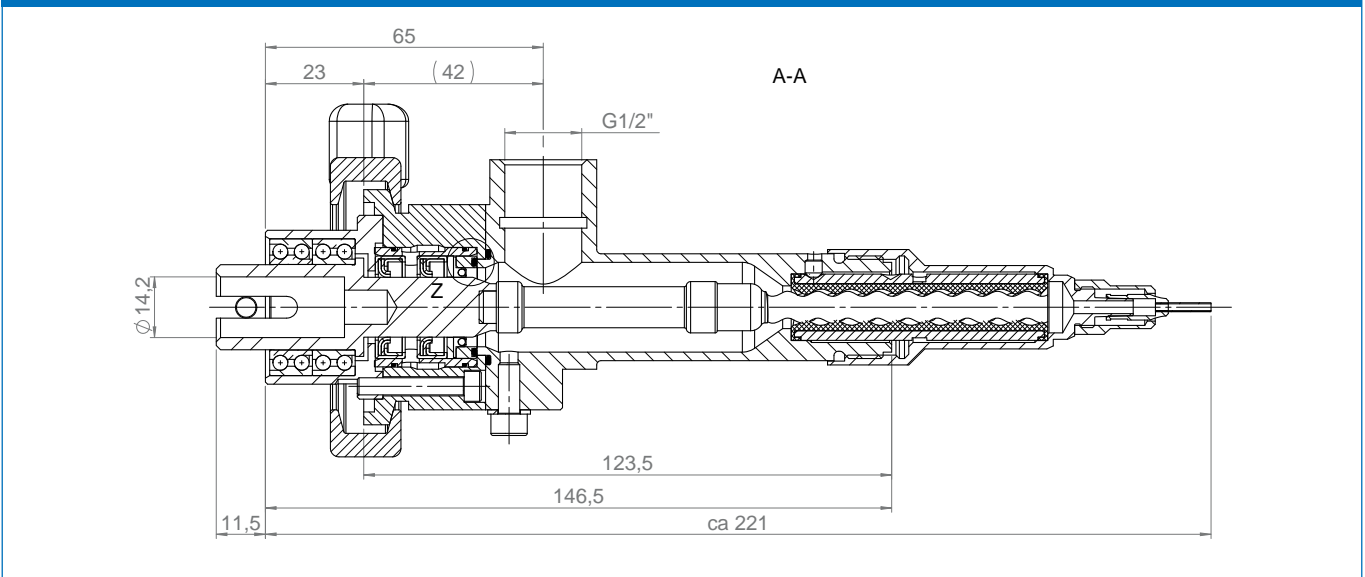


item no.

	fine dosing*	end connection
4RD6 - H with EPDM(p)	151583	151563
4RD6 - H with VisChem	151579	150896
4RD6 - H with VisLas	151582	151562

\*including cap nut for standard dispensing needle and metal dispensing needle

cross section



examples in use

