



product data sheet

Dispenser 3RD8-EC

description



This compact ViscoTec dispenser achieves a precise, consistent and reliable dosing of a wide variety of materials. Thanks to the special rotor-stator geometry, a valve to prevent material from automatically flowing out is not required. Alternately opening chambers allow the gentle transfer and pulsation-free dispensing of product. Especially developed for simplified cleaning (Easy Clean) and maintenance.

- dosing volume: 0.35 ml/rev.
- non-stick coated interior
- reverse-flow possible (no dripping or stringing of product)
- linear relation between drive speed and dosing volume
- constant dosing volume, also with density or viscosity fluctuations
- reliable dosing even without heating the material
- low maintenance
- quick assembly
- time and cost saving maintenance and cleaning with ViscoPro drive: easy programming of quantity and speed (see separate data sheet)

application

- dot or bead application, variable quantities possible
- suitable for all adhesives and sealants
- for low to high-viscosity materials
- particularly suitable for abrasive, high-filled or shear sensitive material

technical data

| | |
|------------------------------|----------------------|
| dosing volume | ~ 0.35 ml/rev. |
| volume flow | 3.5 - 43.75 ml/min** |
| min. dosing quantity | 0.02 ml* |
| dosing accuracy | +/- 1 %*** |
| operating temperature | +10° to +80°C |
| material temperature | -20° to +80°C* |
| max. speed | 125 rpm* |
| max. permissible torque | 8 Nm |
| max. dosing pressure | 30 bar* |
| max. supply (input) pressure | 20 bar* |
| weight | approx. 930 g |

*depends on material

**Volume flow depends on viscosity and primary pressure

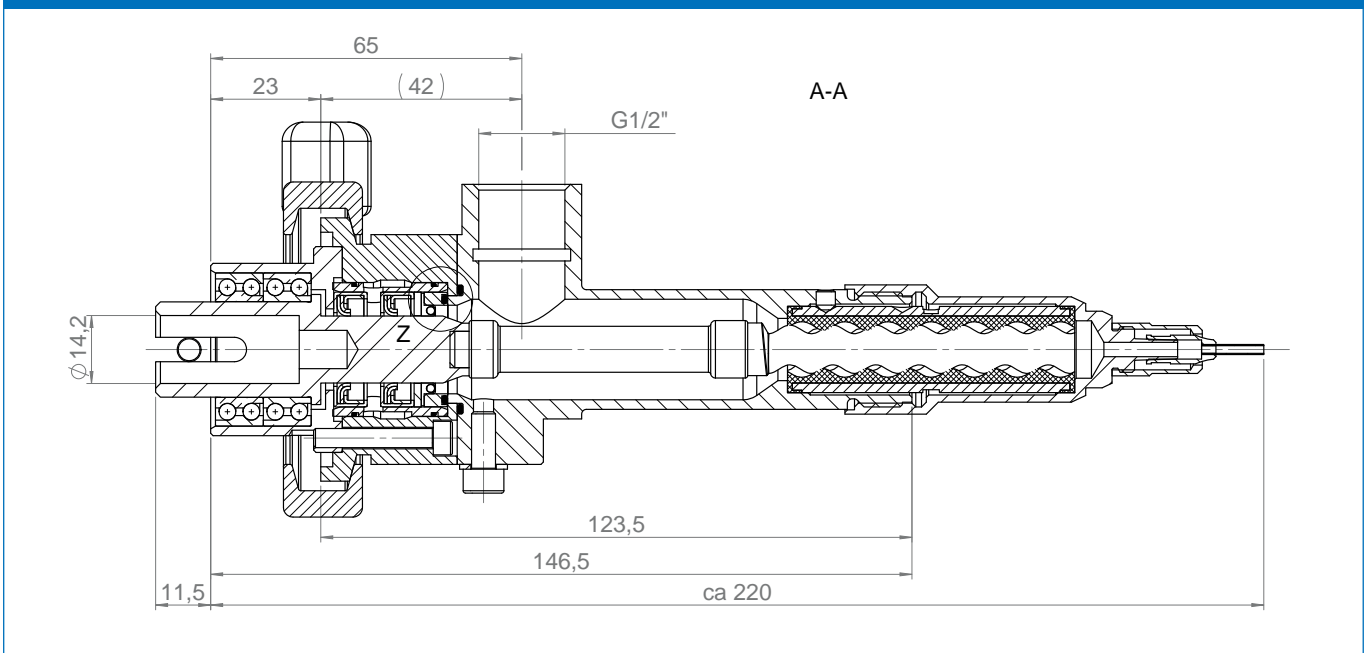
***Volumetric dosing as absolute deviation in relation to one dispenser revolution.
Depends on the viscosity of the dosing medium.

item no.

| | fine dosing* | end connection |
|----------------|--------------|----------------|
| 3RD8-H/EPDM(p) | 151588 | 151568 |
| 3RD8-H/VisChem | 151585 | 150890 |
| 3RD8-H/VisTon | 151586 | 151564 |
| 3RD8-H/VisLas | 151587 | 151565 |

*including cap nut for standard dispensing needle and metal dispensing needle

cross section



examples of use

