



product data sheet

Dispenser 2RD12-3D-EC

description



This compact ViscoTec dispenser achieves a precise, consistent and reliable dosing of a wide variety of materials. Thanks to the special rotor-stator geometry, a valve to prevent material from automatically flowing out is not required. Alternately opening chambers allow the gentle transfer and pulsation-free dispensing of product. Especially developed for simplified cleaning (Easy Clean) and maintenance.

- dosing volume: 5.0 ml/rev
- non-stick coated interior
- reverse-flow possible (no dripping or stringing of product)
- linear relation between drive speed and dosing volume
- constant dosing volume, also with density or viscosity fluctuations
- reliable dosing even without heating the material
- low maintenance
- quick assembly
- time and cost saving maintenance and cleaning with ViscoPro drive: easy programming of quantity and speed (see separate data sheet)

application

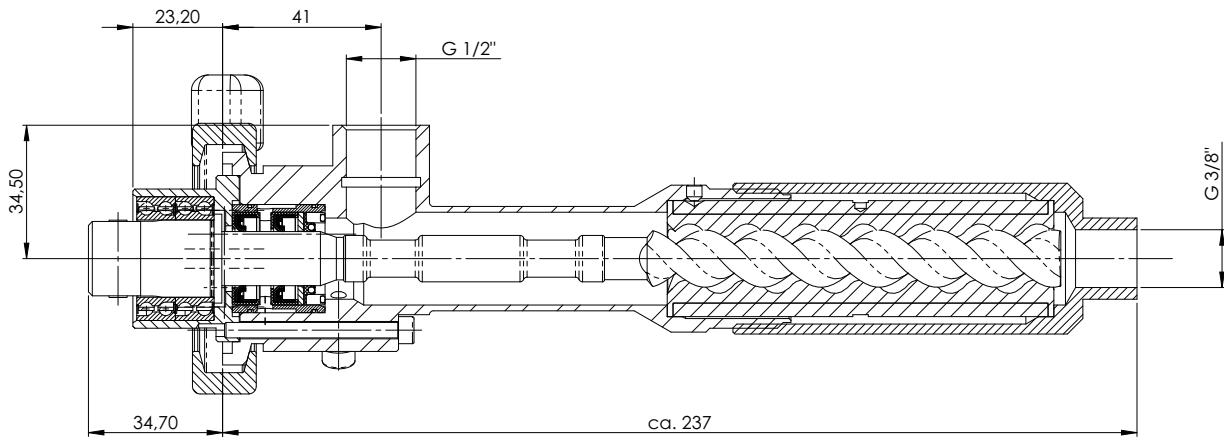
- dot or bead application, variable quantities possible
- suitable for all adhesives and sealants
- for low to high-viscosity materials
- particularly suitable for abrasive, high-filled or shear sensitive material

technical data

dosing volume	about 5.0 ml/rev.
min. dosing quantity	0.3 ml*
operating temperature	+10° to +80° C
material temperature	-20° to +80° C*
max. speed	125 rpm*
max. permissible torque	8 Nm
max. dosing pressure	20 bar*
max. supply (input) pressure	15 bar*
weight	approx. 1,400 g

*depends on material

cross section



illustration

